

# Series NC (MDR) IDC Type Plugs (1.27mm Pitch)

## Specifications

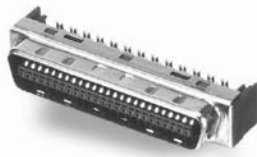
Insulation Resistance: 500MΩ min. at 500V DC  
 Withstanding Voltage: 500V ACrms for 1 minute  
 Contact Resistance: 35mΩ max. at 10mA  
 Current Rating: 0.5A  
 Operating Temp. Range: -55°C to +85°C

## Materials and Finish

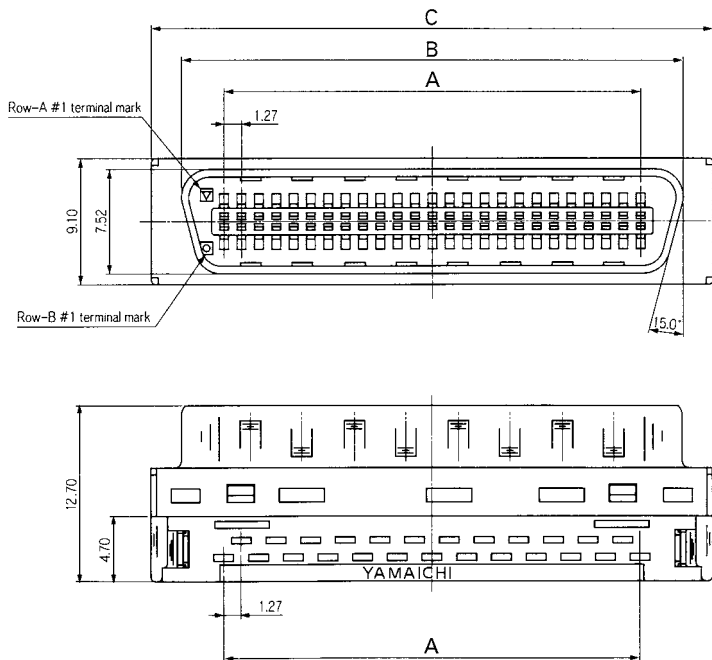
Housing: PBT (glass filled), UL94V-0 rated  
 Contacts: Copper Alloy  
 Plating: Mating Face - Au over Ni  
 IDC Terminals - Flash Au over Ni

## Features

- 1.27mm pitch interface connectors with bellows type contacts



## Outline Plug Dimensions



## Part Number (Details)

**NCP 050 - 0 \* 0 - BF**

Series (plug)

No. of Leads

2 = IDC for Flat Cable  
 (36 and 50 leads only)  
 3 = IDC for Discrete Wire

Connection Type: 0 = IDC

Contact Plating:

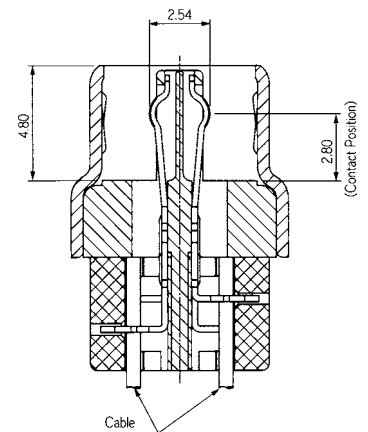
B = Mating Face Contacts - Au (0.3μm min.) over Ni  
 F = IDC Terminals - Flash Au over Ni

## Applicable Cables (for e.g. see Section F)

**NCP\*\*-020-BF:** 1.27mm pitch flat cable.  
 Stranded wire AWG 28 (7/0.127),  
 cable outer diameter 0.8 to 1.1mm  
 e.g. **SFX-S\***, **DK\*\***

**NCP\*\*-030-BF:** Discrete wire.  
 Stranded wire: AWG 28 (7/0.127),  
 insulation outer diameter 0.8 to 1.1mm  
 e.g. **7/0.127\* UL20276\***

## Contact Details



Mini Delta Ribbon

## Standard types

Part Number	No. of Leads	A	B	C
NCP036-020-BF	36	21.59	27.80	32.20
NCP036-030-BF	36	21.59	27.80	32.20
NCP050-020-BF	50	30.48	36.60	41.10
NCP050-030-BF	50	30.48	36.60	41.10

# Series NHA Metal Cover (180° Cable Exit)

## Common Connector Cover



## Part Number (Details)

**NHA 050 - MC 01**

Series No.

No. of Leads

Type MC = Metal Cover

01 = For I/O Cables

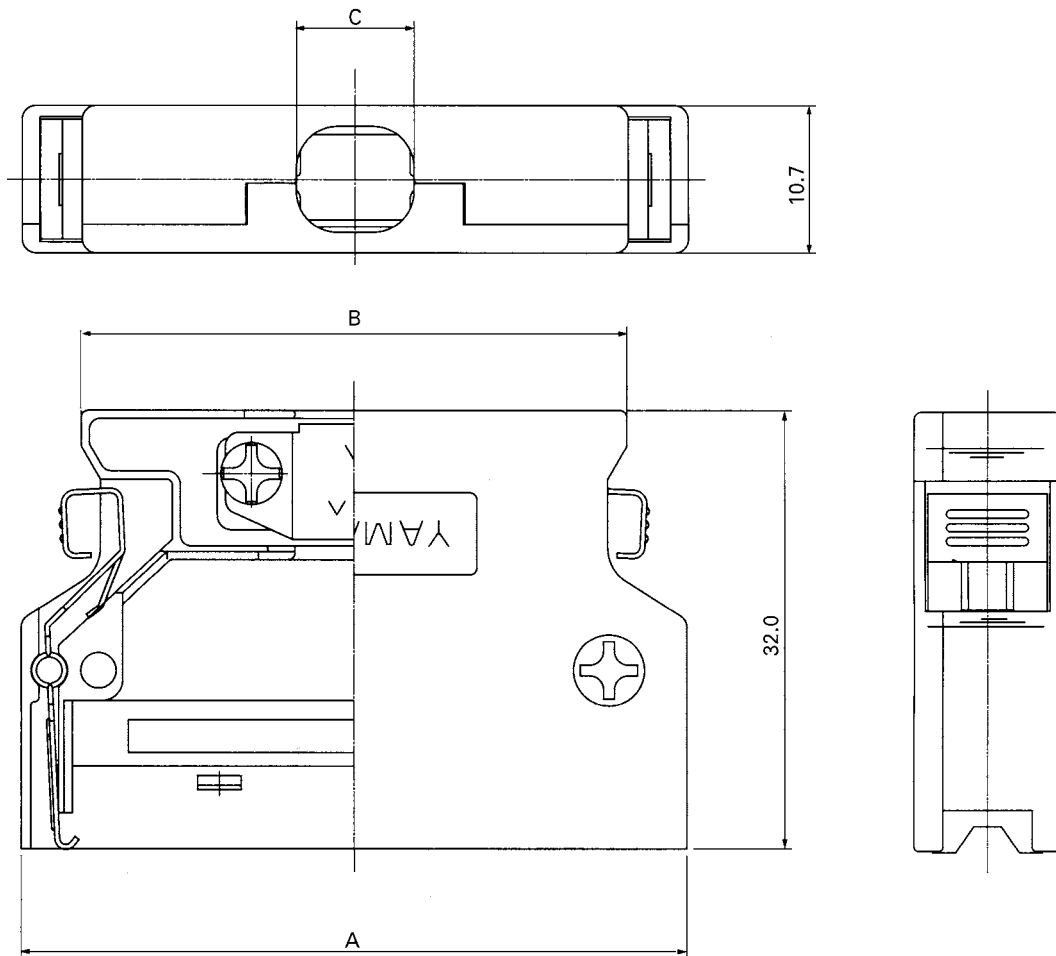
## Materials and Finish

Metal Parts: ZDC, Nickel Plated

## Features

- Metal cover for EMI protection

## Outline Dimensions



Covers for SCSI and Mini Delta Ribbon

Part Number	No. of Leads	A	B	C	Cable Outer Dia.
NHA026-MC01	26	33.5	24.7	7.2	Ø6.0 ~ Ø7.0
NHA050-MC01	50	48.7	40.0	8.6	Ø7.6 ~ Ø8.6
NHA068-MC01	68	60.1	51.4	9.4	Ø8.5 ~ Ø9.5